

Integral Lubricators

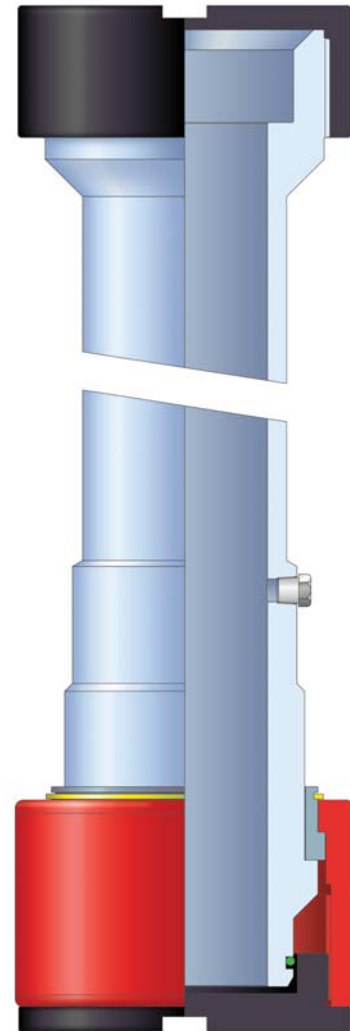
5,000 & 10,000 psi
With NPT Port

Thro' Bore	Working Pressure	Quick Union	Length	Part Number	Redress Kit
3.00"	5,000 psi	5-1/2"-4x2 'B' Type	6 Feet	0037-00051-TIS	0037-00051-KIT
3.00"	5,000 psi	5-1/2"-4x2 'B' Type	8 Feet	0037-00052-TIS	0037-00052-KIT
3.00"	5,000 psi	5-1/2"-4x2 'B' Type	10 Feet	0037-00053-TIS	0037-00053-KIT
3.00"	5,000 psi	5"-4Thd 'O' Type	6 Feet	0037-00049-TIS	0037-00049-KIT
3.00"	5,000 psi	5"-4Thd 'O' Type	8 Feet	0037-00021-TIS	0037-00021-KIT
3.00"	5,000 psi	5"-4Thd 'O' Type	10 Feet	0037-00050-TIS	0037-00050-KIT
3.00"	10,000 psi	6-5/16"-4Thd 'B' Type	6 Feet	0037-00054-TIS	0037-00054-KIT
3.00"	10,000 psi	6-5/16"-4Thd 'B' Type	8 Feet	0037-00055-TIS	0037-00055-KIT
3.00"	10,000 psi	6-5/16"-4Thd 'B' Type	10 Feet	0037-00056-TIS	0037-00056-KIT
3.00"	10,000 psi	5-3/4"-4Thd 'O' Type	6 Feet	0037-00057-TIS	0037-00057-KIT
3.00"	10,000 psi	5-3/4"-4Thd 'O' Type	8 Feet	0037-00058-TIS	0037-00058-KIT
3.00"	10,000 psi	5-3/4"-4Thd 'O' Type	10 Feet	0037-00059-TIS	0037-00059-KIT
4.00"	5,000 psi	7"-5Thd 'B' Type	6 Feet	0016-00031-TIS	0016-00031-KIT
4.00"	5,000 psi	7"-5Thd 'B' Type	8 Feet	0016-00032-TIS	0016-00032-KIT
4.00"	5,000 psi	7"-5Thd 'B' Type	10 Feet	0016-00033-TIS	0016-00033-KIT
4.00"	5,000 psi	6-1/2"-4Thd 'O' Type	6 Feet	0016-00034-TIS	0016-00034-KIT
4.00"	5,000 psi	6-1/2"-4Thd 'O' Type	8 Feet	0016-00035-TIS	0016-00035-KIT
4.00"	5,000 psi	6-1/2"-4Thd 'O' Type	10 Feet	0016-00036-TIS	0016-00036-KIT
4.00"	10,000 psi	8-1/4"-4x2 'B' Type (10k)	6 Feet	0016-00037-TIS	0016-00037-KIT
4.00"	10,000 psi	8-1/4"-4x2 'B' Type (10k)	8 Feet	0016-00038-TIS	0016-00038-KIT
4.00"	10,000 psi	8-1/4"-4x2 'B' Type (10k)	10 Feet	0016-00039-TIS	0016-00039-KIT
4.00"	10,000 psi	8-3/8"-4Thd 'O' Type	6 Feet	0016-00040-TIS	0016-00040-KIT
4.00"	10,000 psi	8-3/8"-4Thd 'O' Type	8 Feet	0016-00041-TIS	0016-00041-KIT
4.00"	10,000 psi	8-3/8"-4Thd 'O' Type	10 Feet	0016-00042-TIS	0016-00042-KIT

Integral Lubricators

5,000 & 10,000 psi
With NPT Port

Thro' Bore	Working Pressure	Quick Union	Length	Part Number	Redress Kit
5.12"	5,000 psi	8-1/4"-4x2 'B' Type (5k)	6 Feet	0039-00042-TIS	0039-00042-KIT
5.12"	5,000 psi	8-1/4"-4x2 'B' Type (5k)	8 Feet	0039-00043-TIS	0039-00043-KIT
5.12"	5,000 psi	8-1/4"-4x2 'B' Type (5k)	10 Feet	0039-00044-TIS	0039-00044-KIT
5.12"	5,000 psi	8-1/4"-4Thd 'O' Type	6 Feet	0039-00039-TIS	0039-00039-KIT
5.12"	5,000 psi	8-1/4"-4Thd 'O' Type	8 Feet	0039-00040-TIS	0039-00040-KIT
5.12"	5,000 psi	8-1/4"-4Thd 'O' Type	10 Feet	0039-00041-TIS	0039-00041-KIT
5.12"	10,000 psi	8-7/8"-4x2 'B' Type	6 Feet	0039-00036-TIS	0039-00036-KIT
5.12"	10,000 psi	8-7/8"-4x2 'B' Type	8 Feet	0039-00037-TIS	0039-00037-KIT
5.12"	10,000 psi	8-7/8"-4x2 'B' Type	10 Feet	0039-00038-TIS	0039-00038-KIT
5.12"	10,000 psi	9"-4Thd 'O' Type	6 Feet	0039-00035-TIS	0039-00035-KIT
5.12"	10,000 psi	9"-4Thd 'O' Type	8 Feet	0039-00006-TIS	0039-00006-KIT
5.12"	10,000 psi	9"-4Thd 'O' Type	10 Feet	0039-00001-TIS	0039-00001-KIT
6-5.8"	5,000 psi	9-7/8"-4x2 'B' Type	6 Feet	0038-00026-TIS	0038-00026-KIT
6-5.8"	5,000 psi	9-7/8"-4x2 'B' Type	8 Feet	0038-00027-TIS	0038-00027-KIT
6-5.8"	5,000 psi	9-7/8"-4x2 'B' Type	10 Feet	0038-00028-TIS	0038-00028-KIT
6-5.8"	5,000 psi	9-1/2"-4Thd 'O' Type	6 Feet	0038-00029-TIS	0038-00029-KIT
6-5.8"	5,000 psi	9-1/2"-4Thd 'O' Type	8 Feet	0038-00030-TIS	0038-00030-KIT
6-5.8"	5,000 psi	9-1/2"-4Thd 'O' Type	10 Feet	0038-00031-TIS	0038-00031-KIT
6-5.8"	10,000 psi	13"-4Thd 'B' Type	6 Feet	0038-00032-TIS	0038-00032-KIT
6-5.8"	10,000 psi	13"-4Thd 'B' Type	8 Feet	0038-00033-TIS	0038-00033-KIT
6-5.8"	10,000 psi	13"-4Thd 'B' Type	10 Feet	0038-00034-TIS	0038-00034-KIT
6-5.8"	10,000 psi	11-1/2"-4Thd 'O' Type	6 Feet	0038-00035-TIS	0038-00035-KIT
6-5.8"	10,000 psi	11-1/2"-4Thd 'O' Type	8 Feet	0038-00036-TIS	0038-00036-KIT
6-5.8"	10,000 psi	11-1/2"-4Thd 'O' Type	10 Feet	0038-00037-TIS	0038-00037-KIT



Integral Lubricator

Integral Lubricators

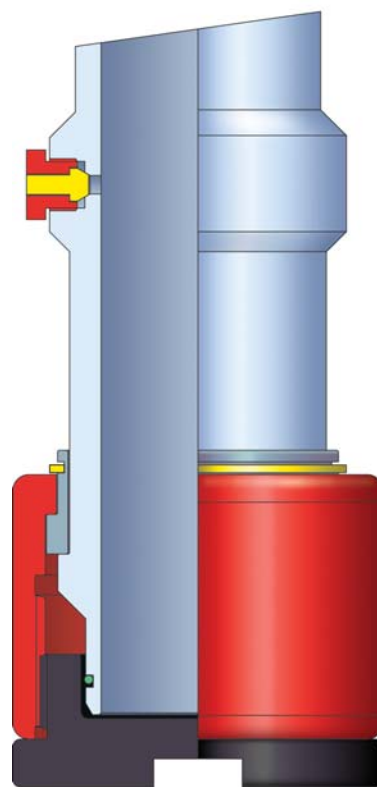
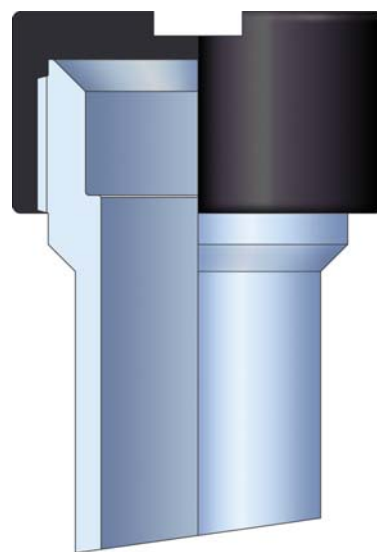


Integral Lubricators

15,000 psi

With high pressure port

Thro' Bore	Quick Union	Length	Part Number	Redress Kit
2-9/16"	6-5/16"-4Thd 'B' Type	6 Feet	0036-00001-TIS	0036-00001-KIT
2-9/16"	6-5/16"-4Thd 'B' Type	8 Feet	0036-00002-TIS	0036-00002-KIT
2-9/16"	6-5/16"-4Thd 'B' Type	10 Feet	0036-00003-TIS	0036-00003-KIT
2-9/16"	6-1/4"-4Thd 'O' Type	6 Feet	0036-00004-TIS	0036-00004-KIT
2-9/16"	6-1/4"-4Thd 'O' Type	8 Feet	0036-00005-TIS	0036-00005-KIT
2-9/16"	6-1/4"-4Thd 'O' Type	10 Feet	0036-00006-TIS	0036-00006-KIT
3.00"	7"-5Thd 'B' Type	8 Feet	0037-00060-TIS	0037-00060-KIT
3.00"	7"-5Thd 'B' Type	8 Feet	0036-00061-TIS	0036-00061-KIT
3.00"	7"-5Thd 'B' Type	10 Feet	0036-00062-TIS	0036-00062-KIT
3.00"	7-1/2"-4Thd 'O' Type	6 Feet	0036-00063-TIS	0036-00063-KIT
3.00"	7-1/2"-4Thd 'O' Type	8 Feet	0036-00064-TIS	0036-00064-KIT
3.00"	7-1/2"-4Thd 'O' Type	10 Feet	0036-00065-TIS	0036-00065-KIT
4.00"	9-1/2"-4Thd 'O' Type	6 Feet	0016-00043-TIS	0016-00043-KIT
4.00"	9-1/2"-4Thd 'O' Type	8 Feet	0016-00044-TIS	0016-00044-KIT
4.00"	9-1/2"-4Thd 'O' Type	10 Feet	0016-00045-TIS	0016-00045-KIT
5-12"	12-1/4"-4Thd 'O' Type	6 Feet	0039-00045-TIS	0039-00045-KIT
5.12"	12-1/4"-4Thd 'O' Type	8 Feet	0039-00046-TIS	0039-00046-KIT
5.12"	12-1/4"-4Thd 'O' Type	10 Feet	0039-00047-TIS	0039-00047-KIT



Integral Lubricator